

# ROUND RODS FOR ADAPTERS 25 MM ROLLERS (R) SS 304



Round  $\varnothing 8$  mm rod with 25 mm roller, for handles and latches with multi-point cams. Rod model R is used with a rod adapter (to be ordered separately). The length L in the drawing is the total length to the end of the roller. The adapter adds 14 mm to the total length (see drawing).

Rod model R-L has a stamped, flat end with an eye.



## MATERIAL

**Rivet:** Stainless steel 304

**Rod:** Stainless steel 304

**Roller:** Glass fibre reinforced polyamide (PA6GF30)

## RELATED PRODUCTS

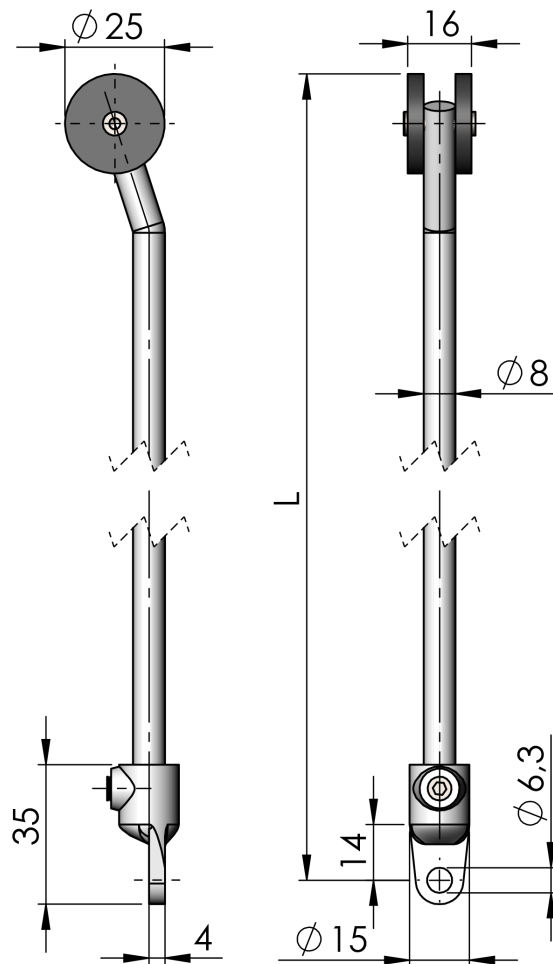
**Cams:** 2-490, 2-491, 2-500b, 2-510

**Other materials:** 2-545

**Rod guides:** 2-560, 2-570

**Rod adapters:** 2-541

Use the Index Code at [industrilas.com](http://industrilas.com)



**Industrilas**  
— When access counts —

P/N	Material	Length in mm	Type
283051	Stainless steel 304	L=400 mm	Rod R
283052	Stainless steel 304	L=500 mm	Rod R
283053	Stainless steel 304	L=600 mm	Rod R
283054	Stainless steel 304	L=800 mm	Rod R
283055	Stainless steel 304	L=900 mm	Rod R
283056	Stainless steel 304	L=1000 mm	Rod R
283057	Stainless steel 304	L=1100 mm	Rod R
283058	Stainless steel 304	L=1200 mm	Rod R
283061	Stainless steel 304	L=700 mm	Rod R